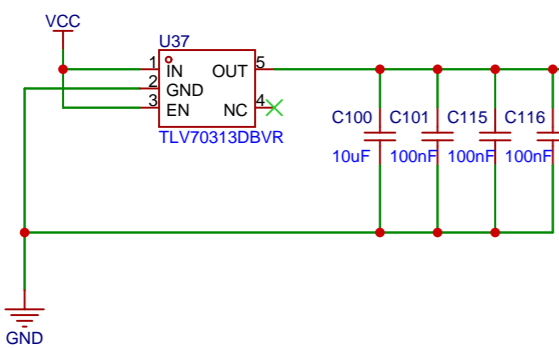
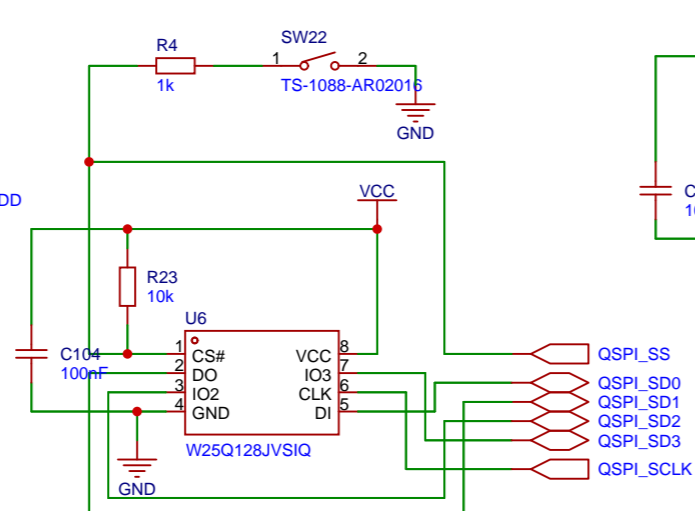


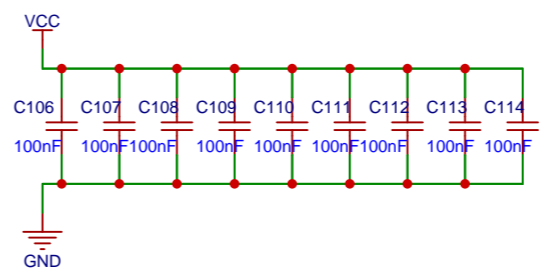
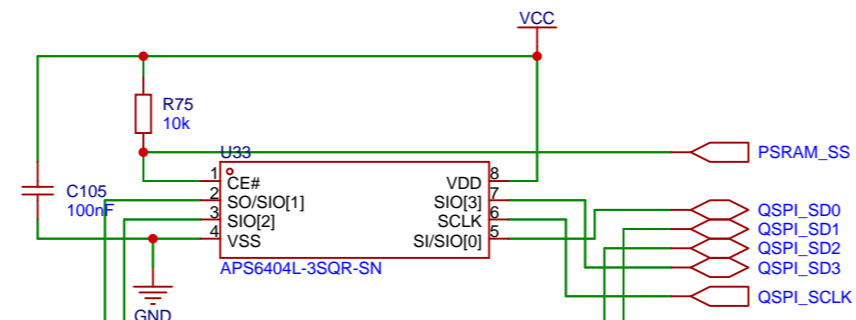
DVDD SUPPLY



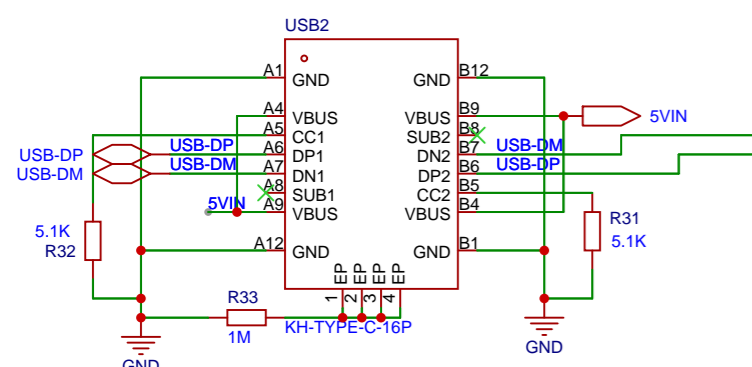
PRIMARY FLASH



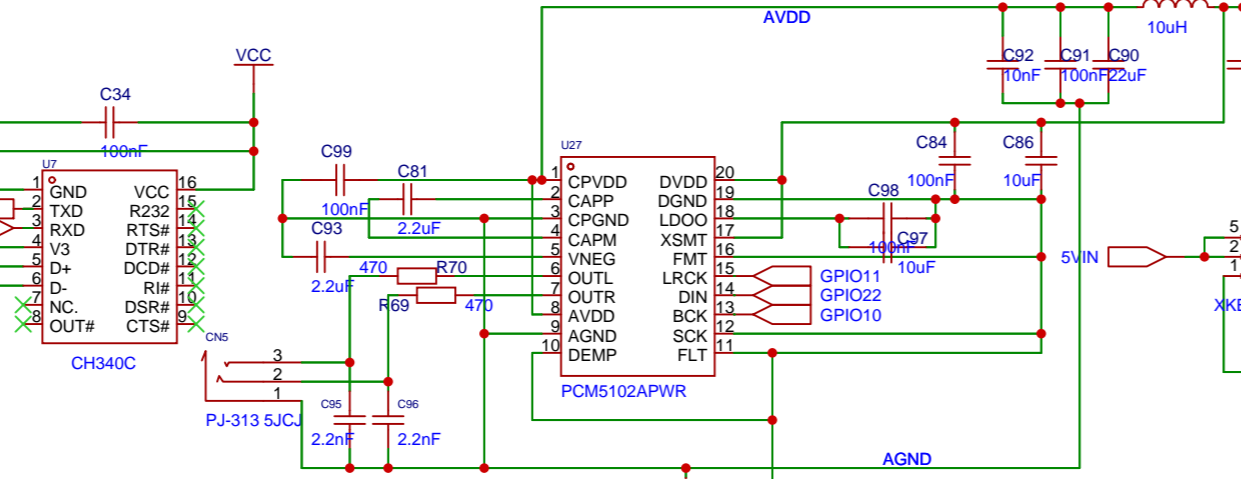
PSRAM



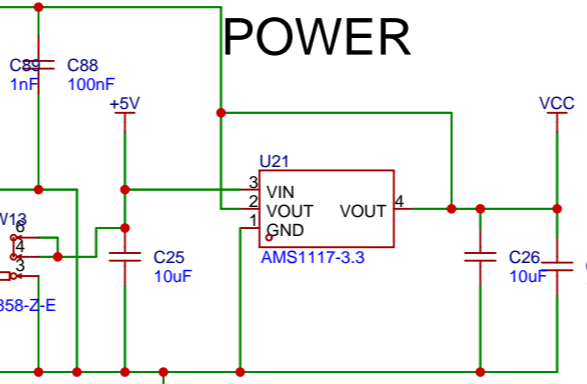
USB CONSOLE



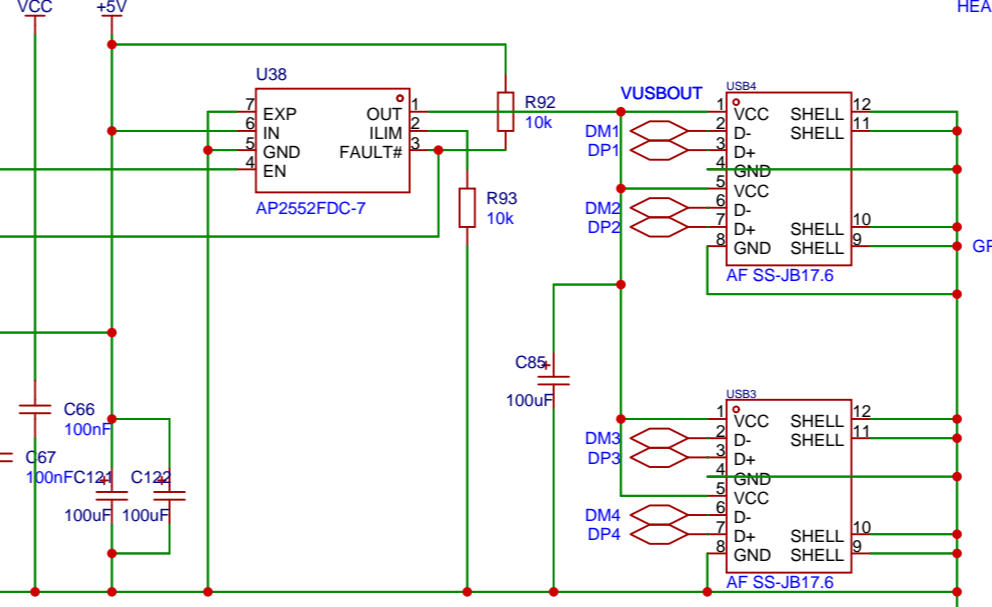
I2S AUDIO



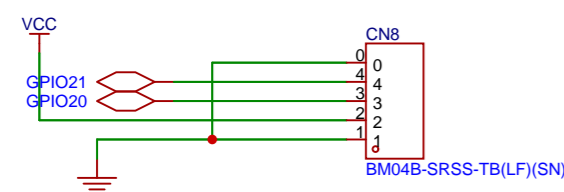
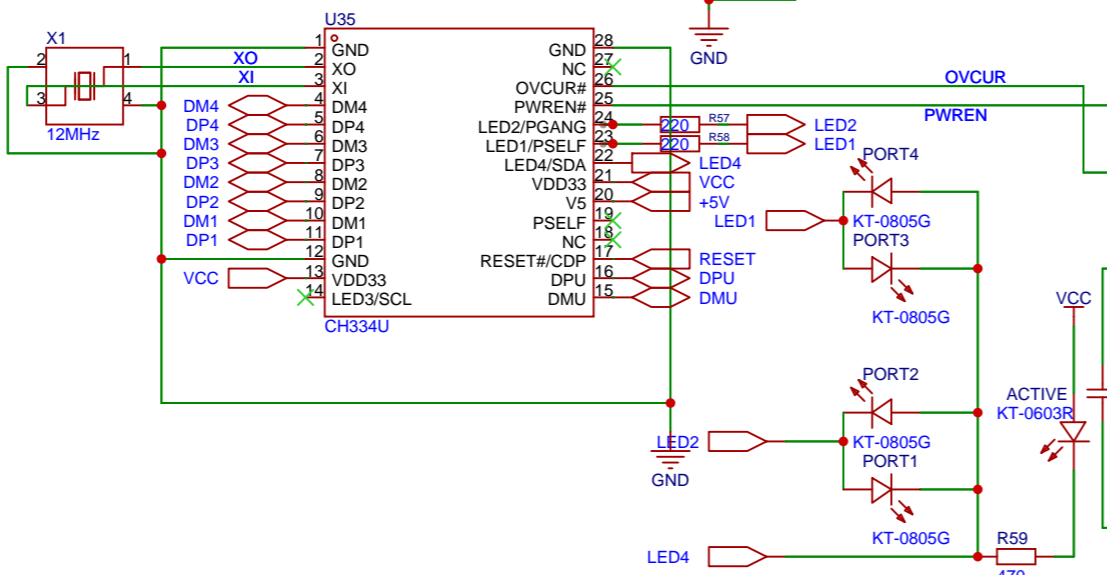
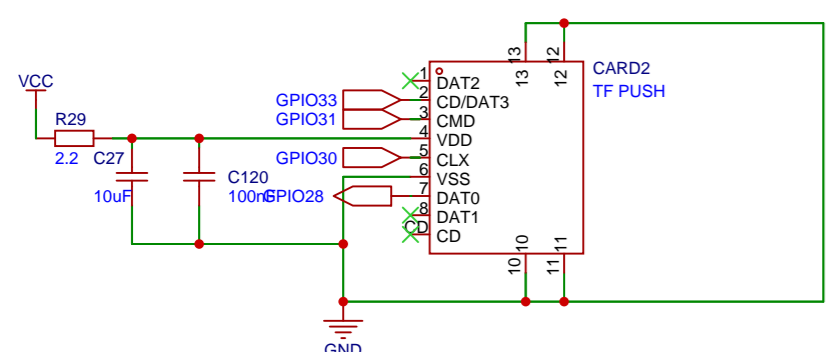
POWER



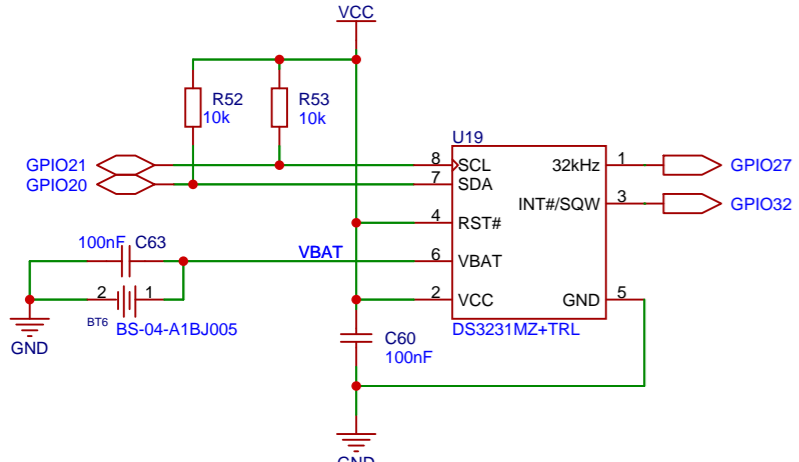
USB HUB



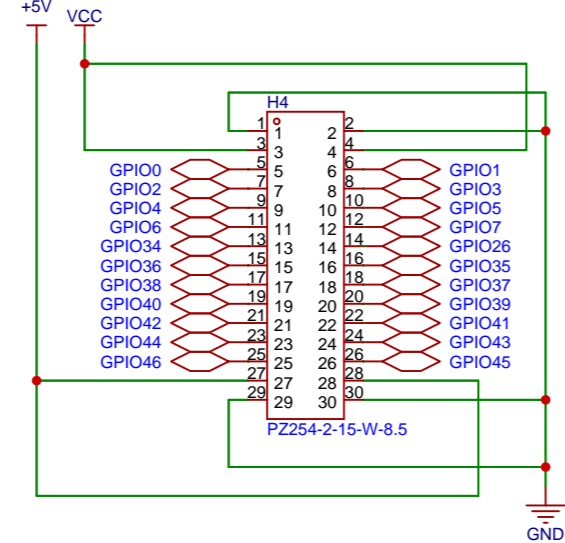
SDCARD



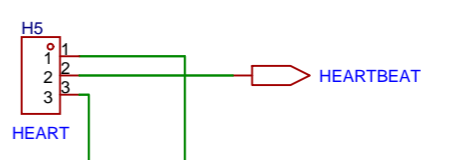
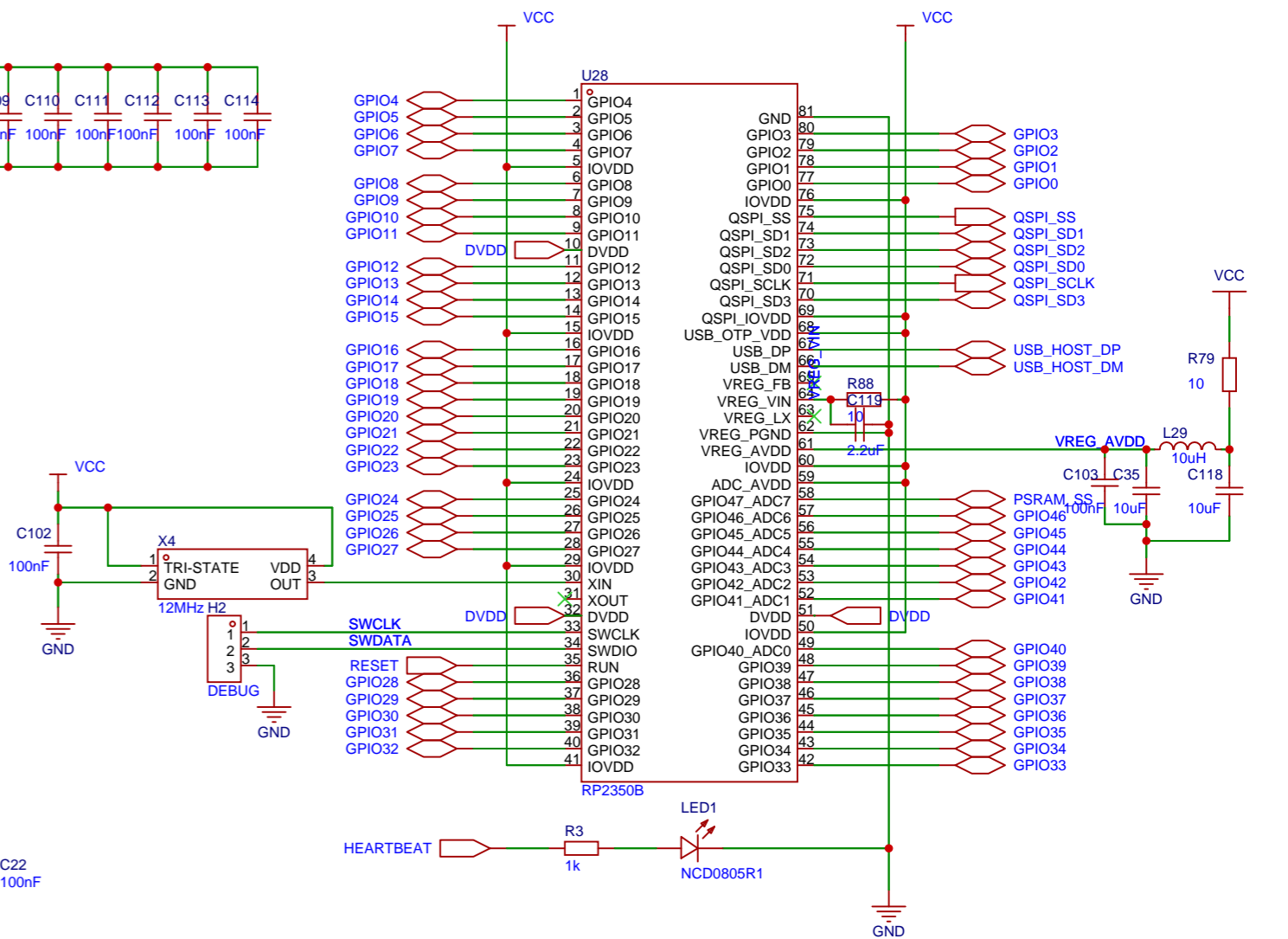
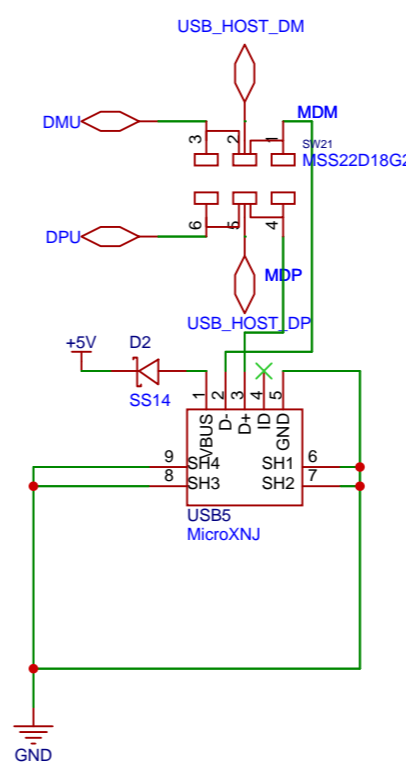
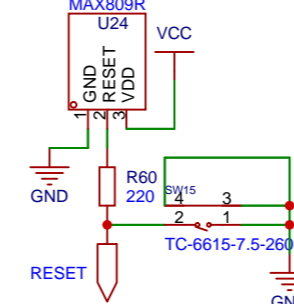
RTC



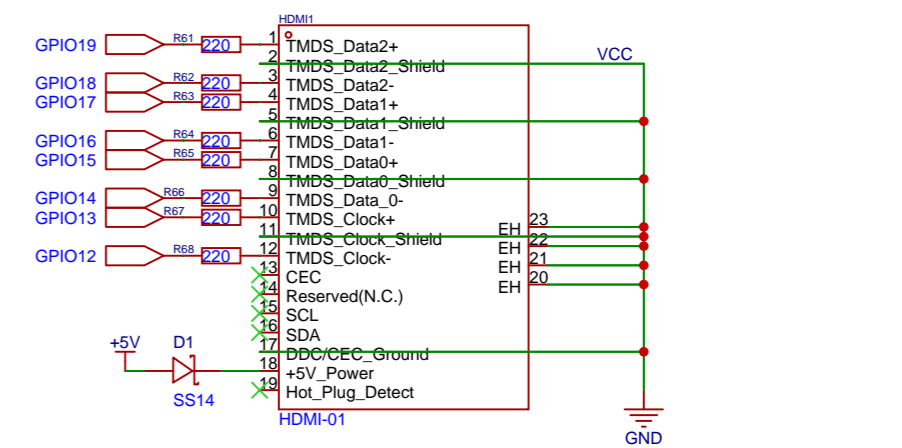
EXTERNAL I/O



RESET



HDMI



Schematic	Schematic1	Update Date	2026-06-11
Page	P1	Create Date	2026-05-29
Drawn	EasyEDA	Part Number	JLPCB-002
Reviewed	EasyEDA	PicoUSBMotherboardV4.0	
		VER	SIZE
		V0.1	A4
		PAGE	1 OF 1
		EasyEDA.com	